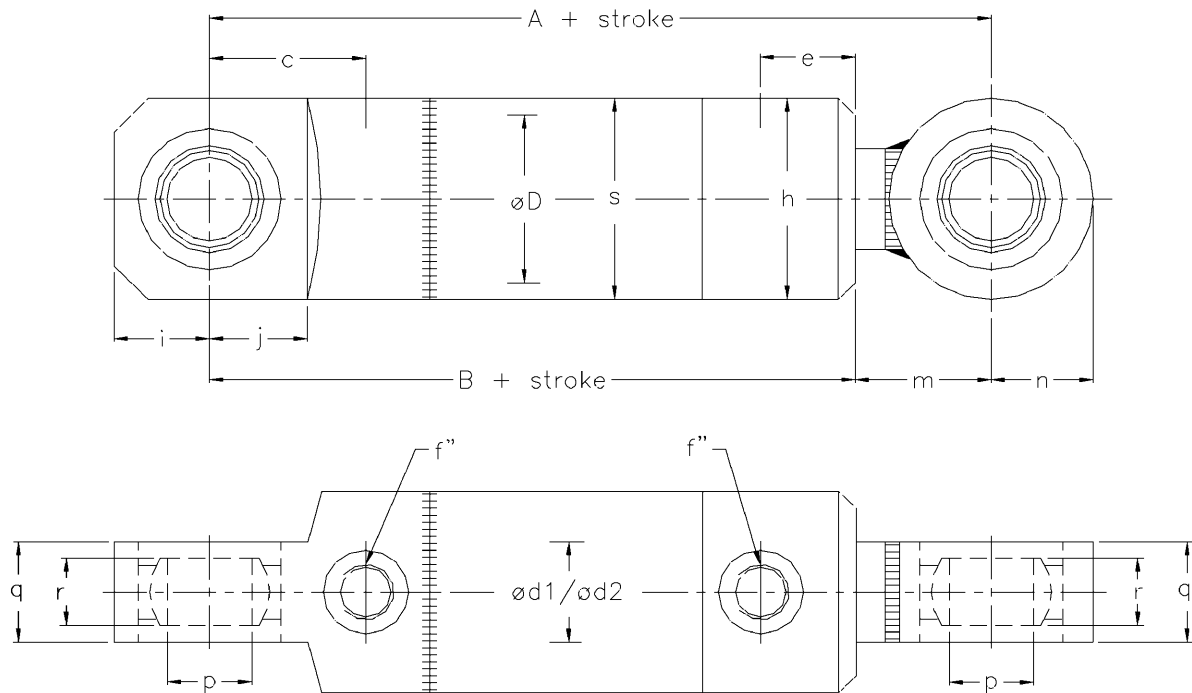


SR20 LL cylinders



Dimension table

øD	25	32	40	50	63	80
ød1/ød2	12/16	16	20/25	25/30	30/40	40/50
A	135	155	185	217	225	265
B	105	126	150	177	180	213
c	30	24	36	46	38	50
e	26	24	25	28	28	39
f'''	1/8"	1/4"	1/4"	3/8"	3/8"	1/2"
h	40	50	50/55	60	75	100
i	19	18	25	28	35	40
j	17	18	23	28	35	38
m	30	29	35	39	45	52
n	19	19	25	30	35	45
p	15	15	20	25	30	40
q	20	20	25	30	35	45
r	12	15	16	20	22	35
s	30	40	50	60	75	95

How to order:



SR20 LL **x1** / **x2** * **x3** K

x1: Inside diameter : 50 mm
x2: Piston rod : 30 mm
x3: Stroke : 200 mm

Ordering code: **SR20 LL 50/30*200 K**

Eksempel på ordre:



SR20 LL **x1** / **x2** * **x3** K

x1: Indvendig diameter : 50 mm
x2: Stempelstang : 30 mm
x3: Slaglængde : 200 mm

Ordre kode: **SR20 LL 50/30*200 K**